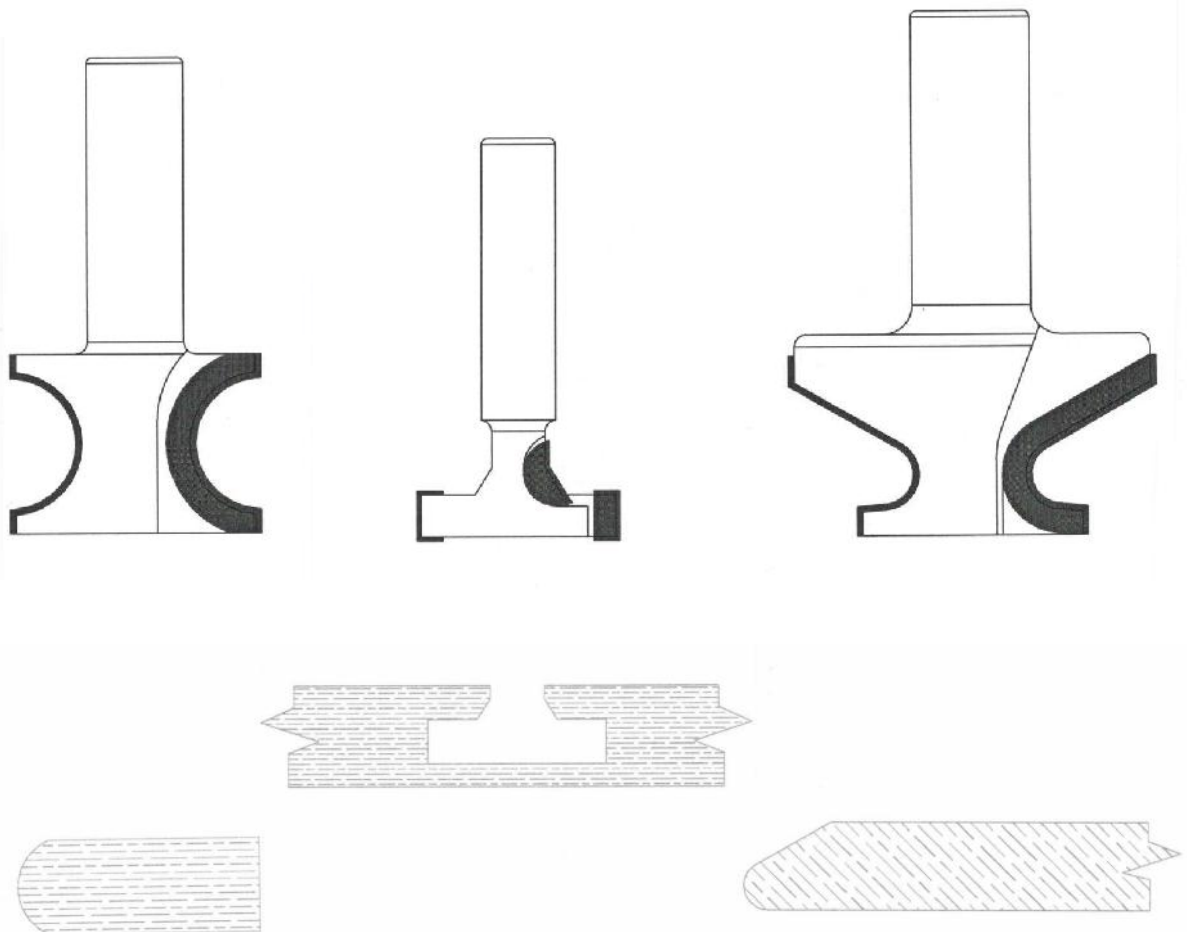


## **PROFILE ROUTER CUTTERS**

High precision long life tooling that produces an excellent cut quality.  
Recommended For Cutting Corian, Trespa, Particle And MDF Boards,  
Melamine-Resin, Paper Faced And Raw, HPL, Foil Covered  
Solid Hard Woods And Veneered Board Materials.  
Cost effective as resharpenable several time`s

**At Lynden Tooling we have our very own design department.  
The designers have the knowledge and ability to produce any  
bespoke tool.**

## **Profile Router Routers**



**High quality PCD Profile Tooling designed to  
customers specifications, from either a technical  
drawing or wood sample.**